

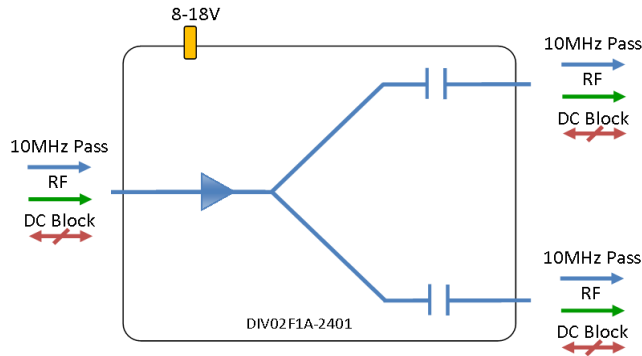


Model Number:  
**DIV02F1A-2401**

RF Components

# 2-Way Broadband Active Splitter

50 - 2800 MHz



- 10MHz Pass
- DC Blocked
- Built in Regulator
- Requires 8-18V external DC Bias

Available with RF connector options:

- 50  $\Omega$  SMA
- 50  $\Omega$  N-type
- 50  $\Omega$  BNC



**8-18V**  
External DC  
powering



**50 - 2800 MHz**  
Operating frequency  
range.



**Compact**  
Housed in  
rugged compact  
enclosure



**Flexible  
Mounting**  
Tapped screw &  
through hole  
mounting options

|                                                                                              |      | RF Parameters     |                    |                   |
|----------------------------------------------------------------------------------------------|------|-------------------|--------------------|-------------------|
| DIV02F1A-2401-XXXX                                                                           |      | S5S5              | N5N5               | B5B5              |
| Frequency Range                                                                              |      | 50 - 2800 MHz     |                    |                   |
| RF Connectors                                                                                |      | 50 $\Omega$ SMA   | 50 $\Omega$ N-Type | 50 $\Omega$ BNC   |
| Mean Gain (dB)                                                                               |      | 0 $\pm$ 2         | 0 $\pm$ 2          | 0 $\pm$ 2         |
| Flatness $\pm$ (dB)                                                                          |      | 1.4               | 1.6                | 1.8               |
| Input Return Loss (dB)                                                                       | Typ. | 15                | 15                 | 14                |
|                                                                                              | Min  | 12                | 12                 | 10                |
| Output Return Loss (dB)                                                                      | Typ. | 20                | 20                 | 20                |
|                                                                                              | Min  | 16                | 16                 | 16                |
| Output P1dB GCP** (dBm)                                                                      | Typ. | 8                 | 8                  | 8                 |
|                                                                                              | Min  | 5                 | 5                  | 5                 |
| Isolation (dB)                                                                               |      | 16                | 16                 | 16                |
| Output IP3 (dBm)                                                                             |      | 17                | 17                 | 17                |
| Noise Figure (dB)                                                                            |      | 10                | 10                 | 10                |
| Amplitude Balance (dB)                                                                       |      | $\leq$ 0.3        | $\leq$ 0.3         | $\leq$ 0.3        |
| Phase Balance ( $\Phi$ )                                                                     |      | $\leq$ 5 $^\circ$ | $\leq$ 5 $^\circ$  | $\leq$ 5 $^\circ$ |
| 10MHz Rejection is 20dB*<br>*To ports which are applicable<br>**GCP (Gain Compression Point) |      |                   |                    |                   |

**Broadcast**



**Marine Oil & Gas**



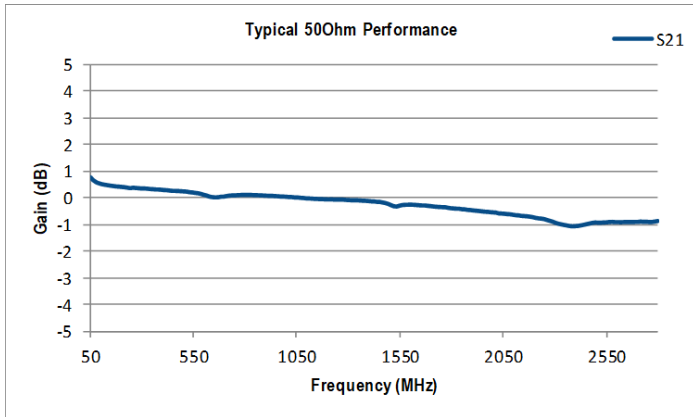
**SNG & VSAT**



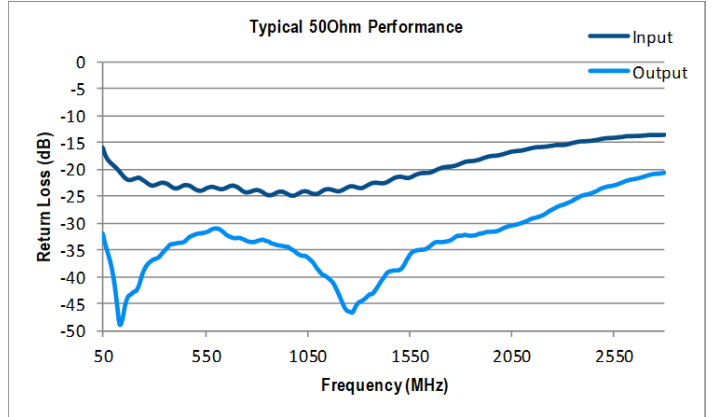
**Satellite Teleport**



Technical specifications and operating parameters



Gain (dB)



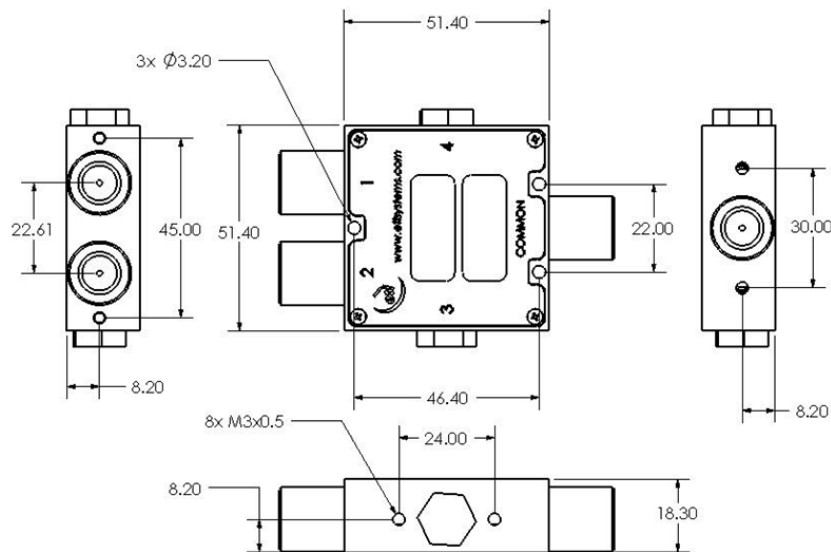
Return Loss (dB)

| Environmental         |     |                    |
|-----------------------|-----|--------------------|
| Operating Temperature |     | 0°C to +45°C       |
| Storage Temperature   |     | -20°C to +75°C     |
| Location              |     | Indoor use Only    |
| Humidity              | Max | 85% non-condensing |
| Altitude              | Max | 10,000 feet        |

| Max Operating Parameters |                         |
|--------------------------|-------------------------|
| Input RF Power           | +21 dBm (63mW)          |
| DC Voltage               | 35V on any RF port      |
| DC Consumption           | 100mA Max, 80mA typical |

**!** Operation beyond these limits may cause instantaneous and permanent damage.

Physical Dimensions (mm)



Note: The specification is subject to regular reviews and will be updated from time to time as part of our continuing product development and improved specification accuracy.